

THIS MANUAL IS FOR THE FOLLOWING MODELS

Dieses Handbuch gilt für die folgenden Modelle | Ce manuel concerne les modèles suivants | Este manual es para los siguientes modelos | 此手册适用于以下型号

PH-HRLCD_BK01	5.5" Hi-Res Display	Black
PH-HRLCD_WT01	5.5" Hi-Res Display	White

Legenda

Legende | Légende | Leyenda | 传奇

Remove | Entfernen | Retirer | Eliminar | 移除
Install | Installieren | Installer | Instalar | 安装

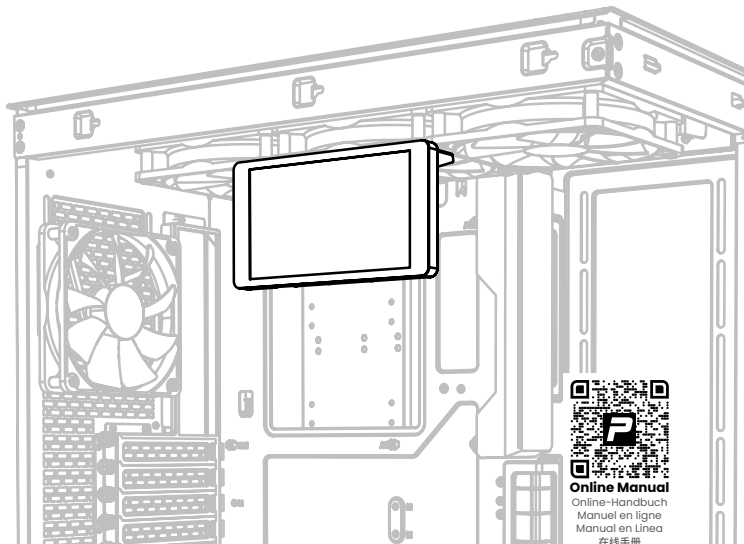
EN Phanteks will not take responsibility for any damages incurred due to incorrect installation or usage of this product.

DE Phanteks übernimmt keine Verantwortung für Schäden, die durch eine falsche Installation oder Verwendung dieses Produkts entstehen.

FR Phanteks décline toute responsabilité en cas de dommages résultant d'une installation ou d'une utilisation incorrecte de ce produit.

ES Phanteks no se responsabilizará de los daños ocasionados por la instalación o el uso incorrectos de este producto.

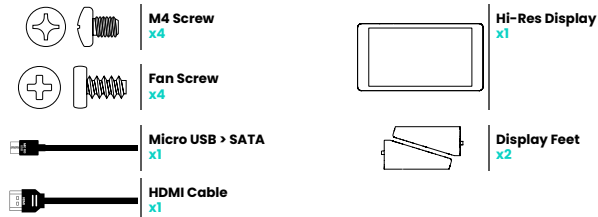
CN Phanteks 不会对安装中失误造成的任何损失负责, 请仔细阅读本手册。



Online Manual
 Online-Handbuch
 Manuel en ligne
 Manual en Line
 在线手册

SCOPE OF DELIVERY

Lieferumfang | Contenu de la livraison | Alcance de la entrega | 供货范围



CABLES INSTALLATION

Kabelinstallation | Installation des câbles | Instalación de cables | 电缆安装

Connect HDMI for the display

Schließen Sie HDMI für das Display an
 Connectez HDMI pour l'affichage
 Conecte HDMI para la pantalla
 连接显示器的 HDMI



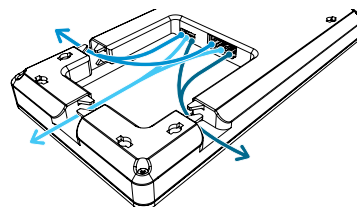
Connect SATA to power the display

Schließen Sie SATA an, um das Display mit Strom zu versorgen
 Connectez SATA pour alimenter l'écran
 Conecte SATA para alimentar la pantalla
 连接 SATA 为显示器供电



CABLE ROUTING

Kabelführung | Le routage des câbles | Tendido de cables | 电缆布线

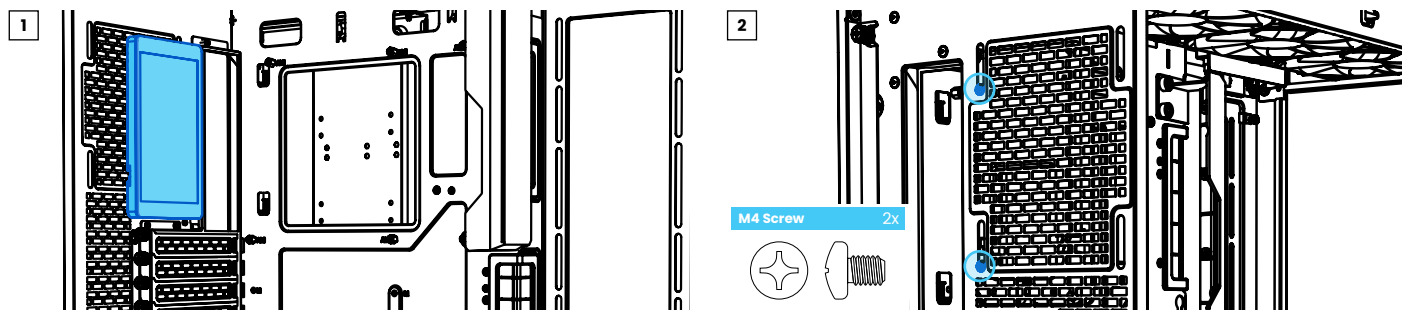


MOUNTING OPTIONS

Montagemöglichkeiten | Options de montage | Opciones de montaje | 安装选项

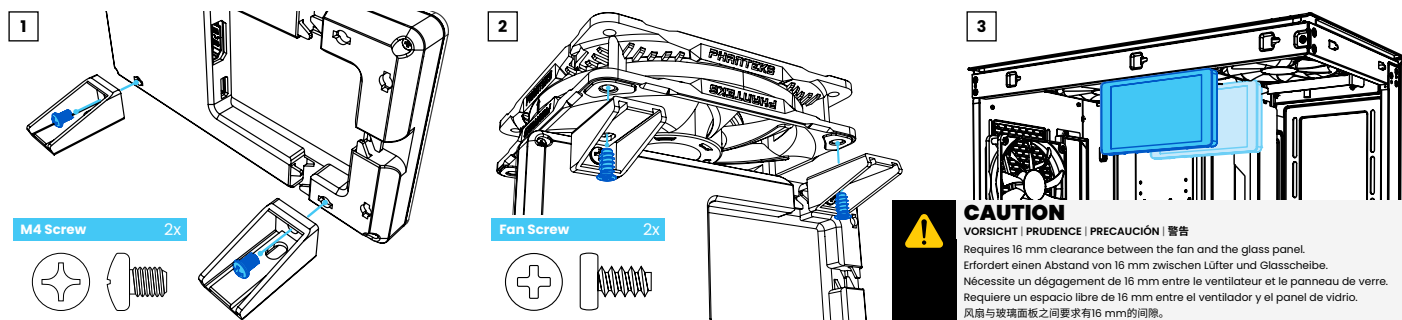
A CHASSIS 120mm FAN LOCATION

Position des 120-mm-Lüfters im Gehäuse | Emplacement du ventilateur de 120 mm du châssis | Ubicación del ventilador de 120 mm del chasis | 机箱 120mm 风扇位置



B 120mm FAN

120-mm-Lüfter | ventilateur de 120 mm | ventilador de 120 mm | 120毫米风扇

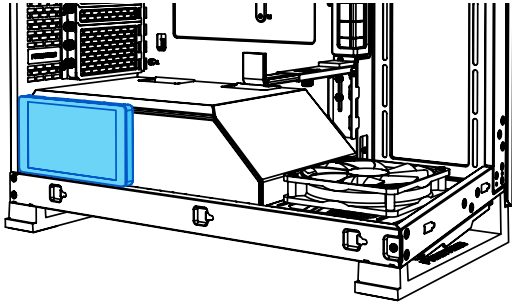


CAUTION

VORSICHT | PRUDENCE | PRECAUCIÓN | 警告
 Requires 16 mm clearance between the fan and the glass panel.
 Erfordert einen Abstand von 16 mm zwischen Lüfter und Glasscheibe.
 Nécessite un dégagement de 16 mm entre le ventilateur et le panneau de verre.
 Requiere un espacio libre de 16 mm entre el ventilador y el panel de vidrio.
 风扇与玻璃面板之间要求有16 mm的间隙。

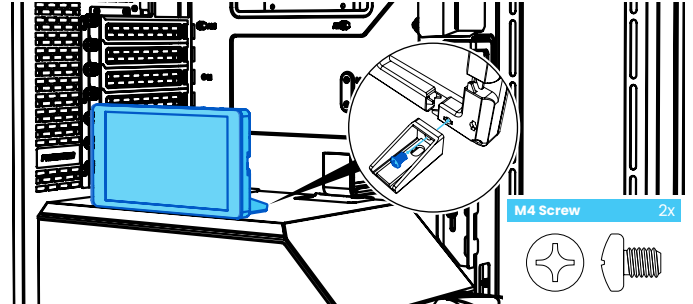
C FLAT SURFACE MAGNETS

Flache magnetische Oberfläche | Surface plane magnétique | Magnético de superficie plana | 平面磁性



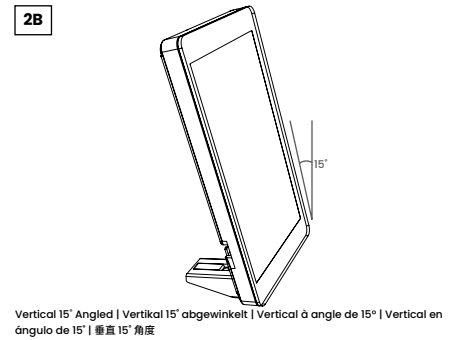
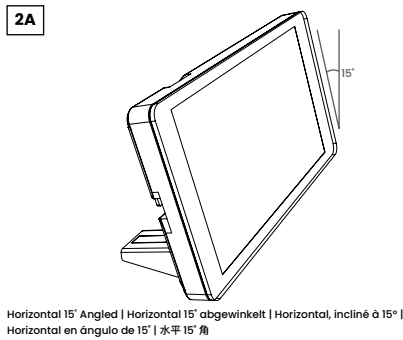
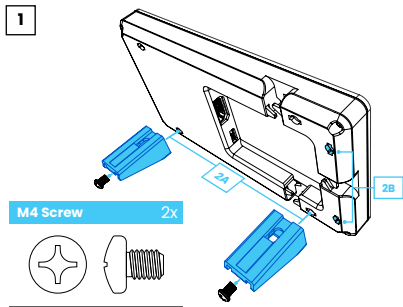
D VERTICAL WITH MAGNETIC FEET

Vertikal mit Magnetfüßen | Vertical avec pieds magnétiques | Vertical with pieds magnétiques | 立式帶磁腳



E EXTERNAL DESK PLACEMENT

Externe Schreibtischplatzierung | Placement de bureau externe | Colocación de escritorio externo | 外部办公桌摆放



OPTIONALLY
 OPTIONAL | EN OPTION | OPCIONALMENTE | 可选
 Use your own Micro USB (5V) and HDMI cable when placed externally.
 Verwenden Sie bei externer Platzierung Ihr eigenes Micro-USB (5V) und HDMI-Kabel.
 Utilisez votre propre câble Micro USB (5V) et HDMI lorsqu'il est placé à l'extérieur.
 Utilice su propio cable Micro USB (5V) y HDMI cuando lo coloques externamente.
 外部放置时,请使用您自己的 Micro USB (5V) 和 HDMI 电缆。

SETTING UP THE HI-RES DISPLAY

Einrichten des hochauflösenden Displays | Configuration de l'affichage haute résolution | Configurar la pantalla de alta resolución | 設置高分辨率顯示

SET THE ORIENTATION

- Go to: **START > SETTINGS > SYSTEM > DISPLAY**
- Set the **Display Orientation** to 'Landscape' or 'Portrait'.

SET THE RESOLUTION

- Go to: **START > SETTINGS > SYSTEM > DISPLAY**
- Set the **Display Resolution** to its native 2560 x 1440 pixels.

OPTIONAL | SET THE SCREEN TO EXTEND

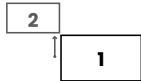
- Go to: **START > SETTINGS > PERSONALISATION > TASKBAR**
- Set the second display to 'Extend'.

OPTIONAL | HIDE THE TASKBAR ON SECOND SCREEN

- Go to: **START > SETTINGS > PERSONALISATION > TASKBAR**
- Turn **'OFF'** Show Taskbar On All Displays, this shows only the taskbar on **Display 1**.

OPTIONAL | PREVENT CURSOR MOVING TO SECOND SCREEN

- Go to: **START > SETTINGS > SYSTEM > DISPLAY**
- Position the **Hi-Res Display** diagonally of the main display. The cursor can't move easily to the Hi-Res Display, although it still is accessible if needed.



DISPLAY SHOWS BLACK SCREEN

Das Display zeigt einen schwarzen Bildschirm | L'écran affiche un écran noir | La pantalla muestra una pantalla negra | 顯示器顯示黑屏

TROUBLESHOOT VIA BIOS | DISABLE ERP

- Go to the BIOS screen of your system.
- Enter the **'Advanced Mode'** for the BIOS.
- Search for a setting with the label **'ErP'**.
Unfortunately the location of this setting is different per motherboard manufacturer. Please check the motherboard manual where this option is located.

TROUBLESHOOT VIA WINDOWS | ENABLE USB POWER

- Navigate to the Control Panel and select **'Power Options'**.
- Select **'Change Plan Settings'** from the selected Power Plan.
- Select **'Change Advanced Power Settings'**.
- Open **'USB Settings'**.
- Open **'USB Selective Suspend Setting'**.
- Change the **'Setting'** to **Enabled**.
- Press **Apply** in the bottom right corner to apply the new settings.

TROUBLESHOOT VIA WINDOWS | TURN OFF FAST-STARTUP

- Navigate to the Control Panel and select **'Power Options'**.
- Choose **'Choose what the power buttons do'**.
- Click on **'Change settings that are currently unavailable'**.
- Under **'Shutdown settings'** uncheck the **'Turn on fast startup'** box.
Disabling Fast Startup may result in slightly longer boot times. However, the impact is usually negligible on modern systems with fast solid-state drives (SSDs).

SAFETY INFORMATION

SICHERHEITSMITTEILUNG | INFORMATION DE SÉCURITÉ | INFORMACIÓN DE SEGURIDAD | 安全信息

In order to achieve maximum safety, we suggest that you adopt the following guidelines:

- Place the product on a clean and stable surface that allows adequate air ventilation.
- Don't use or place the product and any of its components near water, moisture, or other wet surfaces; or place the product near any heat, open flame, or other hot surfaces such as radiators, stoves, fireplaces, and candles.
- Use caution when operating the desktop PC to avoid electrical shock or damage, such as unplugging the power supply during thunderstorms, ensuring that your hands are dry before using (and handling) the desktop PC, keeping it away from any source of liquid and/or heat source, and using all other reasonable precautions needed under the circumstances.
- When connecting external devices to your desktop PC, carefully plan how the wires will be placed. Protect any connected cables from being trod on or pinched, particularly at plugs, convenience receptacles, or the point where they exit from.
- Take extra caution when handling/removing/reattaching glass components. Once removed, place the glass component on a stable surface first before proceeding.
- When unplugging any connected devices and/or cables, always pull the cable or device's plug or connector. Don't forcefully tug on its cord.
- Don't place any heavy items on top of the product.
- Make sure that the desktop PC is off, unplugged from the outlet, and that all connected devices are powered off and unplugged (if any) before installing or uninstalling any internal component to and/or from the desktop PC or product.

FR
 Cet appareil se recycle
 REPRISE À LA LIVRAISON | À DÉPOSER EN MAGASIN | À DÉPOSER EN DÉCHÈTERIE
 OU | OU
 Points de collecte sur www.quefairemedesdechets.fr
 Privilégiez la réparation ou le don de votre appareil!

NOTE ON DISPOSAL

The WEEE symbol indicates that this product must not be disposed of with normal household waste. Through the correct disposal of this product, you will help protect the environment. For more information on the disposal of this product, please contact your local municipality, your waste disposal service or the shop where you purchased the product.

Phanteks Taiwan Inc.
 11F, No. 150, Jian 1st Rd.,
 Zhonghe Dist.
 New Taipei City 235

Importer EU
 Axpertec Int. B.V. (EU)
 Sydneystraat 33
 3047 BP Rotterdam
 The Netherlands

Importer US
 Axpertec Inc. (US)
 20465 E Walnut Dr. N
 City of Industry, CA 91789
 USA